

TACTICAL CATALOG

CopBox Cabinet, Specialty Vehicle Cabinets, Mobile Storage, and More

WE BUILD IT BETTER



CTECH
MANUFACTURING
ALUMINUM CARTS, CABINETS & DRAWERS

With a passion for racing, Jim Greenheck, CTech Manufacturing President/ Owner, needed a quality storage solution when on the road with his drag car. Jim sought after his own design and built the first CTech cabinet. He took into consideration “MOBILE APPLICATION” when engineering the first CTech products and that still holds true to this day.

CTech was developed to be lighter, stronger, and of a higher quality than anything else available. By concentrating on product innovation and listening to our customers, we have maintained our reputation for being the most respected name in storage products!

These innovations have grown our product offerings to include all-aluminum carts, cabinets, drawers and tactical cabinets. These products cover a number of different industries which continue to evolve and grow with each request. Our products have been used in a variety of mobile and stationary applications.

CTech stays engaged with customers to deliver new and innovative solutions every day. From major race teams to global energy companies, our people, technology, and engineering practices allow us to continue this trend of innovation.

WE BUILD IT BETTER

**NO MATTER WHAT INDUSTRY
WE GUARANTEE A SUPERIOR PRODUCT**



CTech added 80,000 sq ft to its manufacturing facility in 2018 to better serve current customers and answer an increased demand for new business.

TABLE OF CONTENTS



FEATURES:	6-9	OPTIONS:	20-21
COPBOX CABINETS:	10-17	MODEL OVERVIEW:	22-23
<i>metro series:</i>	11	CUSTOM TACTICAL:	24-31
<i>responder series:</i>	11	<i>truck bed:</i>	24-25
<i>patrol series:</i>	12	<i>suv:</i>	26-27
<i>tactical series:</i>	12-13	<i>large truck/van:</i>	28-29
<i>command series:</i>	14-15	<i>custom configurations:</i>	30-31
<i>scale series:</i>	15	PRODUCT PORTFOLIO:	32-33
<i>commander series:</i>	16	POLICIES & PROCEDURES:	34
<i>fire series:</i>	16	CTECH ADVANTAGE:	35
TROOPER SERIES:	18-19		



TACTICAL S



LAW ENFORCEMENT INSP

SOLUTIONS



IRE - INDUSTRY PROVEN

Gear Guard (option)
- Gear guard helps secure equipment.



Extruded Aluminum Frame *
-lightweight aluminum cabinet frame is pound for pound stronger than most steel alloys.



Inverted Top
- Designed for optimal storage capabilities, deep enough to secure equipment on top.



Body Panels
- Tough powder coat aluminum double walled doors for strength and rigidity.
.090" extrusions
.080" body panels
.080" drawer body



MotionLatch™ Drawers *
- ONE HAND - ONE MOTION opening function lets you grab anywhere on the extruded aluminum handle and effortlessly open our 250lb rated drawers.



QuickLink Mounting Plate *
- The key feature to a transferable cabinet and quick installation of the CTech CopBox Cabinet.



5052
ALUMINUM
BODY PANELS

EXTRUDED
ALUMINUM FRAME



**RADIUS
CORNERS**
FASTENER ASSEMBLED

FEATURES WITH (*) CAN BE SEEN IN THE EXPANDED FEATURE DESCRIPTIONS ON THE FOLLOWING PAGES



Engineered with strong aluminum extrusions

MOTIONLATCH™ DRAWERS & DOORS

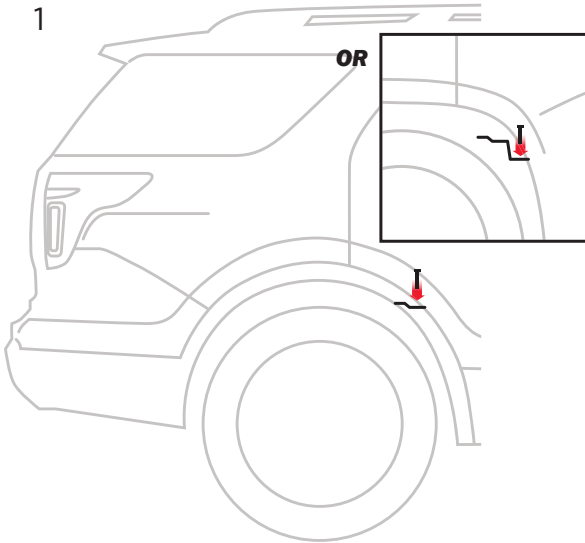
- Offers a ONE HAND - ONE MOTION operation even with a handful of tools
- No pinching, no squeezing, no twisting, just pull the handle and the latches release
- MotionLatch™ opening function lets you grab anywhere on the extruded aluminum handle and effortlessly open our 250lb rated drawers

CTECH EXCLUSIVE
MotionLatch™
Drawer & Door System
 US Patent 6,547,289

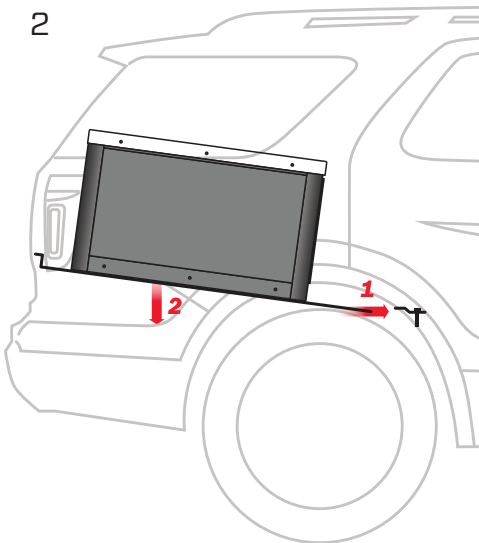


Dual composite latches stay closed

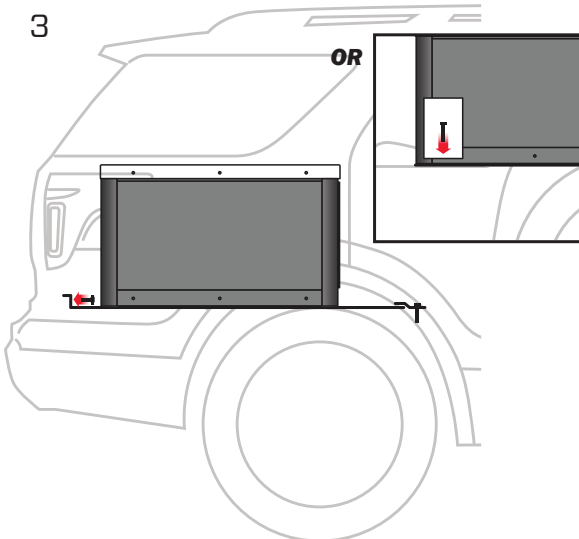
1



2



3



Dodge Durango

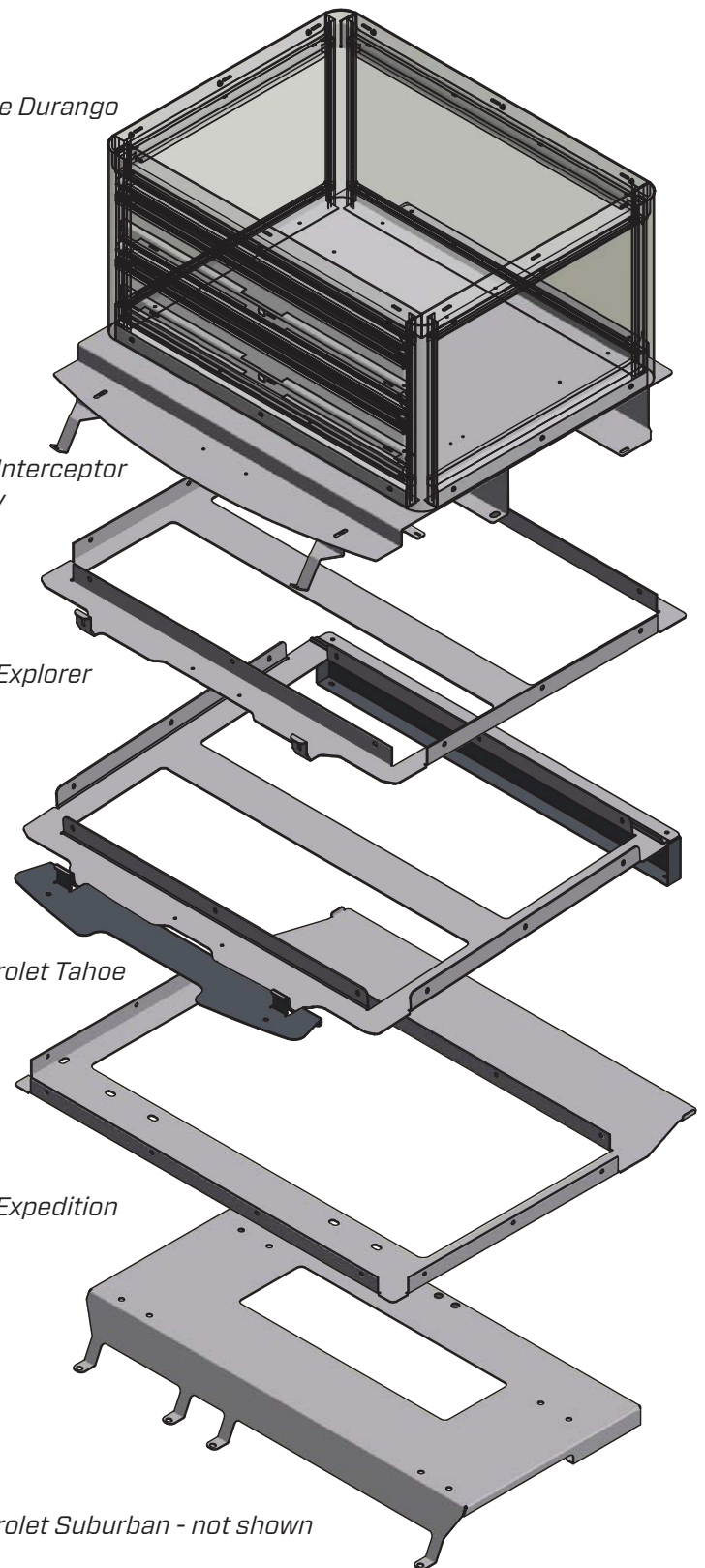
Ford Interceptor Utility

Ford Explorer

Chevrolet Tahoe

Ford Expedition

Chevrolet Suburban - not shown



QUICKLINK MOUNTING SYSTEM

- Allows universal mounting between vehicles
- FAST & EASY installation and removal
- Factory mounting locations
- No modifications to vehicle needed
- Switch vehicle manufacturers and just replace the QuickLink plate to fit the new vehicle



TACTICAL

COPBOX CABINETS



TACTICAL

COPBOX CABINET:

-With increasing utilization of SUVs as Police Pursuit Vehicles; focusing on organization and safety are crucial. CTECH's lightweight aluminum CopBox Cabinet is designed to ensure safety for the officers while increasing efficiency and value to the fleet.

- SAFETY - SECURITY - EFFICIENCY - VALUE -



SPECIFICATIONS:	M40-301
WIDTH	40
HEIGHT	12
DEPTH	30
SPARE TIRE ACCESS	NO
# OF DRAWERS	0
NET WEIGHT	61lbs
MSRP	\$495.00

METRO SERIES - M40-301

- Interior dimensions: 37W x 12H x 27D
- Lockable Flip Lid
- Gas shock stays
- QuickLink Mounting System
- Universal fitment, MID & Full size SUVs

SPECIFICATIONS:	R40-301
WIDTH	40
HEIGHT	12
DEPTH	30
SPARE TIRE ACCESS	NO
# OF DRAWERS	1
NET WEIGHT	73lbs
MSRP	\$995.00

RESPONDER SERIES - R40-301

- MotionLatch™ Drawer
- Interior dimensions: 31.625W x 6H x 25.5D (40.5 diagonal)
- QuickLink Mounting System
- Universal fitment, MID & Full size SUVs



SPECIFICATIONS:	R47-301
WIDTH	47
HEIGHT	12
DEPTH	30
SPARE TIRE ACCESS	NO
# OF DRAWERS	1
NET WEIGHT	80lbs
MSRP	\$1095.00

RESPONDER SERIES - R47-301

- MotionLatch™ Drawer
- Interior dimensions: 38.625W x 6H x 25.5D (44 diagonal)
- QuickLink Mounting System
- Full size SUVs



SPECIFICATIONS:	P40-301
WIDTH	40
HEIGHT	16
DEPTH	30
SPARE TIRE ACCESS	YES
# OF DRAWERS	1
NET WEIGHT	82lbs
MSRP	\$1095.00



PATROL SERIES - P40-301

- MotionLatch™ Drawer
- Interior dimensions: 31.625W x 6H x 25.5D (40.5 diagonal)
- QuickLink Mounting System
- Universal fitment, MID & Full size SUVs

SPECIFICATIONS:	P47-301
WIDTH	47
HEIGHT	16
DEPTH	30
SPARE TIRE ACCESS	NO
# OF DRAWERS	1
NET WEIGHT	90lbs
MSRP	\$1195.00

PATROL SERIES - P47-301

- MotionLatch™ Drawer
- Interior dimensions: 38.625W x 10H x 25.5D (44 diagonal)
- QuickLink Mounting System
- Full size SUVs



SPECIFICATIONS:	T40-301
WIDTH	40
HEIGHT	20
DEPTH	30
SPARE TIRE ACCESS	0
# OF DRAWERS	1
NET WEIGHT	124lbs
MSRP	\$1195.00

TACTICAL SERIES - T40-301

- MotionLatch™ Drawer
- Interior dimensions: 31.625W x 14H x 25.5D (40.5 diagonal)
- QuickLink Mounting System
- Universal fitment, MID & Full size SUVs





SPECIFICATIONS:	T40-302
WIDTH	40
HEIGHT	20
DEPTH	30
SPARE TIRE ACCESS	NO
# OF DRAWERS	2
NET WEIGHT	148lbs
MSRP	\$1495.00

TACTICAL SERIES - T40-302

- MotionLatch™ Drawer
- Interior dimensions: #1 - 31.625W x 7H x 25.5D (40.5 diagonal), #2 - 31.625W x 7H x 25.5D (40.5 diagonal)
- QuickLink Mounting System
- Universal fitment, MID & Full size SUVs

SPECIFICATIONS:	T47-301
WIDTH	47
HEIGHT	20
DEPTH	30
SPARE TIRE ACCESS	NO
# OF DRAWERS	1
NET WEIGHT	132lbs
MSRP	\$1295.00

TACTICAL SERIES - T47-301

- MotionLatch™ Drawer
- Interior dimensions: 38.625W x 14H x 25.5D (44 diagonal)
- QuickLink Mounting System
- Universal fitment, MID & Full size SUVs



SPECIFICATIONS:	T47-302
WIDTH	47
HEIGHT	20
DEPTH	30
SPARE TIRE ACCESS	NO
# OF DRAWERS	2
NET WEIGHT	164lbs
MSRP	\$1595.00

TACTICAL SERIES - T40-302

- MotionLatch™ Drawer
- Interior dimensions: #1 - 38.625W x 7H x 25.5D (44 diagonal), #2 - 38.625W x 7H x 25.5D (44 diagonal)
- QuickLink Mounting System
- Universal fitment, MID & Full size SUVs



SPECIFICATIONS:	C40-301
WIDTH	40
HEIGHT	26
DEPTH	30
SPARE TIRE ACCESS	NO
# OF DRAWERS	2
NET WEIGHT	156lbs
MSRP	\$2295.00

COMMAND SERIES - C40-301

- MotionLatch™ Drawer & Door
- Interior dimensions: #1 - 13.28W x 9H x 25.5D, #2 - 13.28W x 12H x 25.5D
- Adjust-a-loc shelving in opening
- QuickLink Mounting System
- Universal fitment, MID & Full size SUVs



SPECIFICATIONS:	C40-302
WIDTH	40
HEIGHT	26
DEPTH	30
SPARE TIRE ACCESS	NO
# OF DRAWERS	3
NET WEIGHT	168lbs
MSRP	\$2395.00

COMMAND SERIES - C40-302

- MotionLatch™ Drawer & Door
- Interior dimensions: #1 - 13.28W x 5H x 25.5D, #2 - 13.28W x 12H x 25.5D, #3 - 13.28W x 4H x 25.5D
- Adjust-a-loc shelving in opening
- Flip up white-board
- QuickLink Mounting System
- Universal fitment, MID & Full size SUVs

SPECIFICATIONS:	C47-301
WIDTH	47
HEIGHT	26
DEPTH	30
SPARE TIRE ACCESS	NO
# OF DRAWERS	2
NET WEIGHT	166lbs
MSRP	\$2495.00

COMMAND SERIES - C47-301

- MotionLatch™ Drawer & Door
- Interior dimensions: #1 - 13.28W x 9H x 25.5D, #2 - 13.28W x 12H x 25.5D
- Adjust-a-loc shelving in opening
- QuickLink Mounting System
- MID & Full size SUVs





SPECIFICATIONS:	C47-302
WIDTH	47
HEIGHT	26
DEPTH	30
SPARE TIRE ACCESS	NO
# OF DRAWERS	3
NET WEIGHT	180lbs
MSRP	\$2595.00

COMMAND SERIES - C47-302

- MotionLatch™ Drawer & Door
- Interior dimensions: #1 - 13.28W x 5H x 25.5D, #2 - 13.28W x 12H x 25.5D, #3 - 13.28W x 4H x 25.5D
- Adjust-a-loc shelving in opening
- Flip up white-board
- QuickLink Mounting System
- Full size SUVs

SPECIFICATIONS:	PS40-302
WIDTH	40
HEIGHT	16
DEPTH	30
SPARE TIRE ACCESS	YES
# OF DRAWERS	1
NET WEIGHT	62lbs
MSRP	\$1095.00

PATROL SCALE SERIES - PS40-302

- MotionLatch™ Drawer and Door
- Interior dimensions: 38.625W x 3H x 25.5D (44 diagonal)
- HAENNI Scale mounts (up to 6 scales)
- QuickLink Mounting System
- Universal fitment, MID & Full size SUVs



SPECIFICATIONS:	CS40-301
WIDTH	40
HEIGHT	26
DEPTH	30
SPARE TIRE ACCESS	NO
# OF DRAWERS	1
NET WEIGHT	164lbs
MSRP	\$1495.00

COMMAND SCALE SERIES - CS40-301

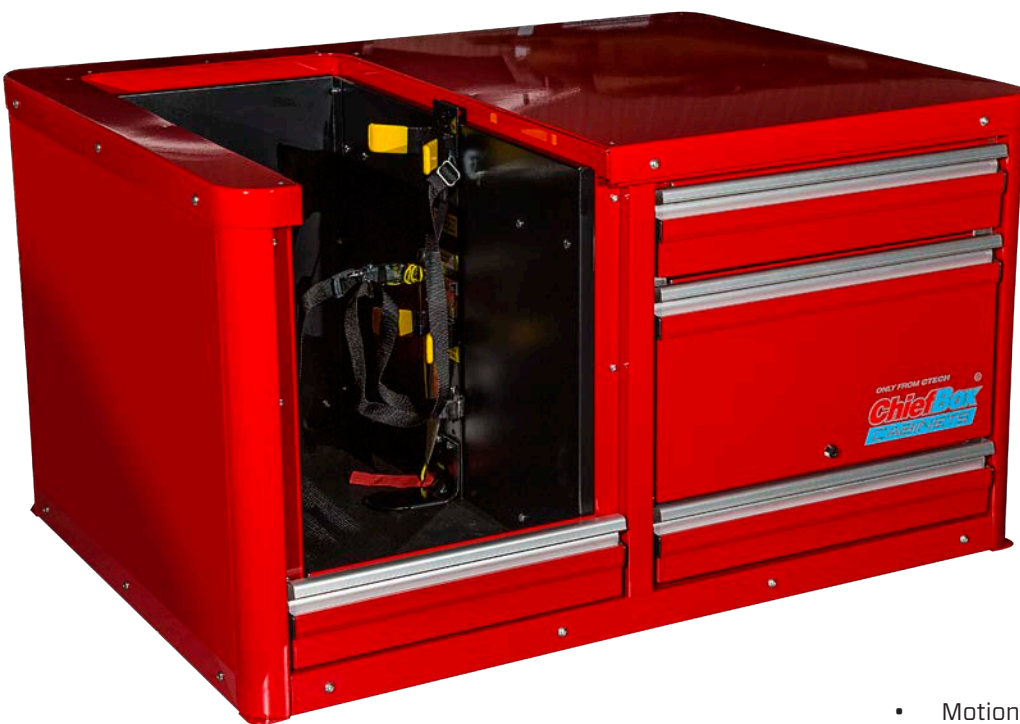
- MotionLatch™ Drawer
- Interior dimensions: 38.625W x 12H x 25.5D (44 diagonal)
- HAENNI Scale mounts (up to 6 scales)
- QuickLink Mounting System
- Universal fitment, MID & Full size SUVs

SPECIFICATIONS:	C45-401
WIDTH	45
HEIGHT	26
DEPTH	40
SPARE TIRE ACCESS	NO
# OF DRAWERS	3
NET WEIGHT	226lbs
MSRP	\$2895.00



COMMANDER SERIES - C45-401

- MotionLatch™ Drawer and Door
- Interior dimensions: #1 - 17.5W x 8H x 35.5D, #2 - 17.5W x 13H x 35.5D, #3 - 13W x 6H x 35.5D
- HAENNI Scale storage behind door (up to 4 scales)
- QuickLink Mounting System
- Gear Guard (standard)
- Full size SUVs



SPECIFICATIONS:	F47-351
WIDTH	47
HEIGHT	26
DEPTH	35
SPARE TIRE ACCESS	NO
# OF DRAWERS	4
NET WEIGHT	215lbs
MSRP	\$ CALL

FIRE SERIES - F47-351

- MotionLatch™ Drawer
- MotionLatch™ accessory rack
- Interior dimensions: NA
- Flip up white-board
- QuickLink Mounting System
- Full size SUVs



TROOPER SERIES

*Only available for
Ford Interceptors*

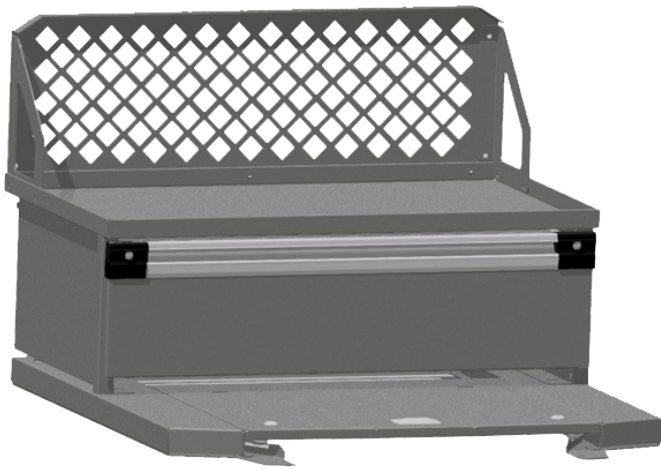


TACTICAL

TROOPER SERIES:

-With increasing utilization of SUVs as Police Pursuit Vehicles; focusing on organization and safety are crucial. CTECH's lightweight aluminum Trooper Series is designed to ensure safety for the officers. Gathering design and layout criteria from State Patrol departments throughout the US we have developed the most efficient and safe product available.

- SAFETY - SECURITY - EFFICIENCY - VALUE -



SPECIFICATIONS:	TDUI-402
WIDTH	40
HEIGHT	13.75
DEPTH	24
SPARE TIRE ACCESS	YES
# OF DRAWERS	1
NET WEIGHT	NA
MSRP	\$1195.00

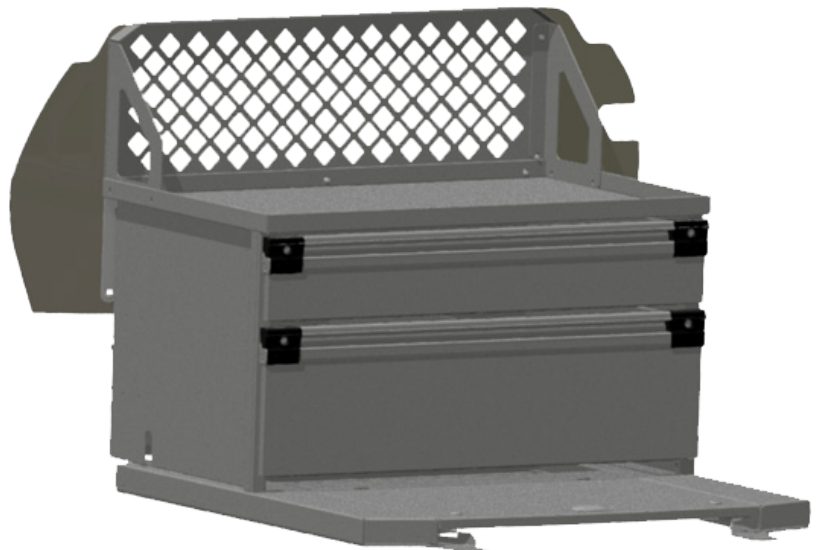
TROOPER SERIES - TDU-SINGLE

- MotionLatch™ Drawer
- Locking Drawer
- Spare Tire Access Door
- Set Back Design
- Gear Guard

SPECIFICATIONS:	TDUI40-401
WIDTH	40
HEIGHT	21.625
DEPTH	24
SPARE TIRE ACCESS	YES
# OF DRAWERS	2
NET WEIGHT	NA
MSRP	\$1495.00

TROOPER SERIES - TDUI40-401

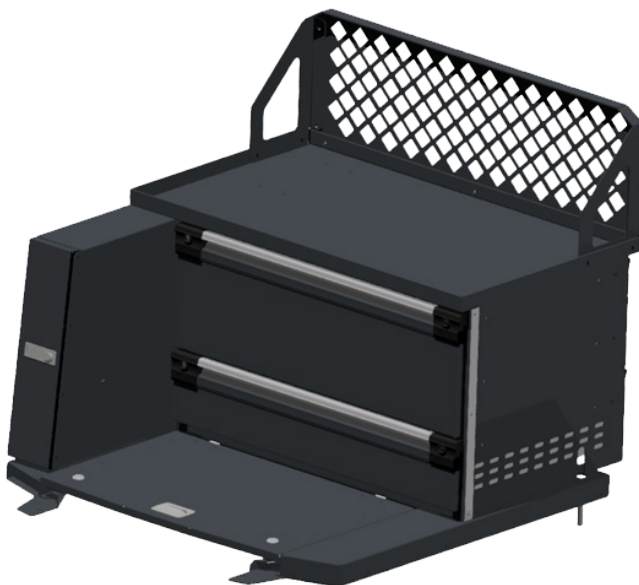
- MotionLatch™ Drawer
- Locking Drawers
- Spare Tire Access Door
- Set Back Design
- Gear Guard
- Vented Electronics Drawer



SPECIFICATIONS:	TDU40-401
WIDTH	40
HEIGHT	21.625
DEPTH	40.5
SPARE TIRE ACCESS	YES
# OF DRAWERS	2
NET WEIGHT	NA
MSRP	\$1695.00

TROOPER SERIES - TDU40-401

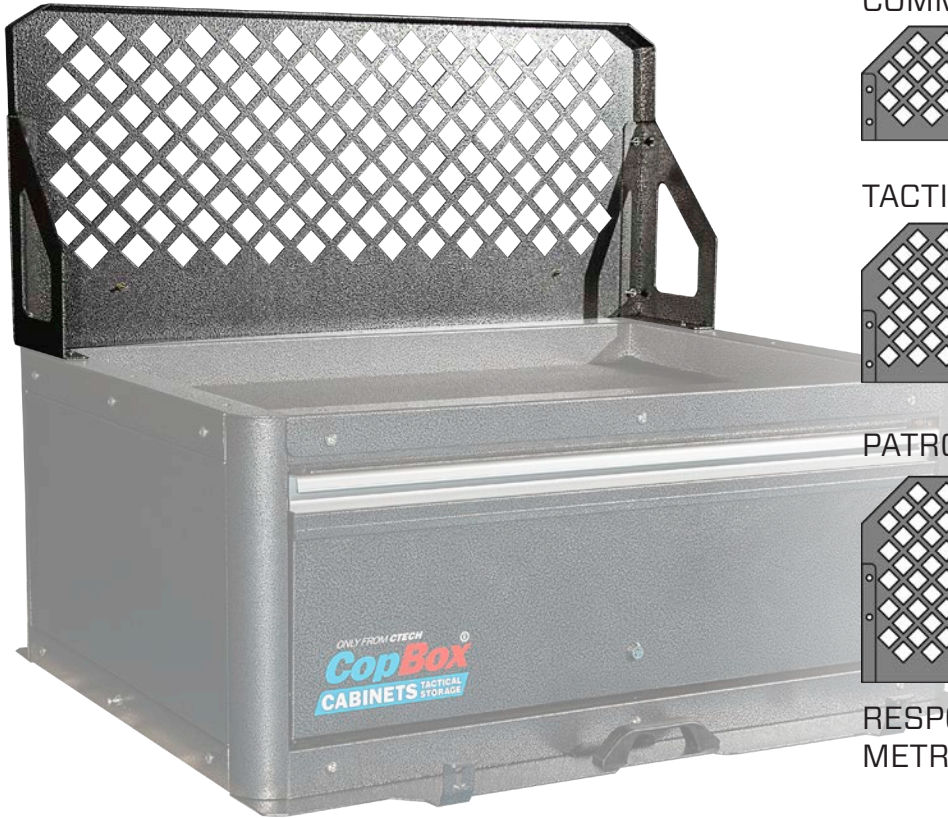
- MotionLatch™ Drawer
- Locking Drawers and Door
- Gun Storage
- Spare Tire Access Door
- Set Back Design
- Gear Guard
- Vented Electronics Drawer



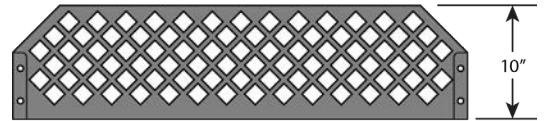
COPBOX OPTIONS

* ANY STANDARD PRODUCT CAN BE CUSTOMIZED TO YOUR SPECIFIC NEEDS, PLEASE CALL 715-355-8842 AND TALK TO YOUR CTECH REPRESENTATIVE TODAY. *

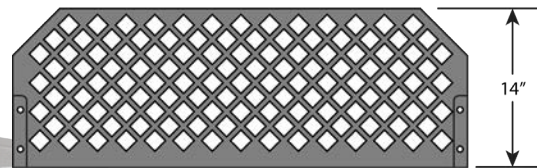
CARGO DIVIDER:



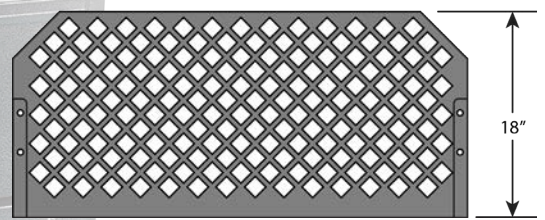
COMMAND SERIES: optional



TACTICAL SERIES: optional



PATROL SERIES: optional



RESPONDER SERIES: NA
METRO SERIES: NA

Added security for gear being stored on the top of the CopBox Cabinet - \$218.90

ELECTRONICS STORAGE:



Easy accessible organized storage for your electronics - \$218.90

TACTICAL

LIFT ASSIST:



Enables easy access to the spare tire on applicable models - \$218.90 *Metro Series only (Standard on Patrol and Responder Series)

UNIVERSAL FLOOR MOUNT:



Standard equipment (QuickLink Mounting plate) is removed and replaced with a standard floor. This allows universal mounting to any flat surface.

MODEL COMPARISON

Trooper Series

Only available for Ford Interceptors

CopBox Series



<i>SERIES</i>	TROOPER	TROOPER	TROOPER	METRO	RESPONDER	PATROL
<i>MODEL #</i>	TDUI-402	TDUI40-401	TDU40-401	M40-301	R40-301 R47-301	P40-301 P47-301
<i>DIMENSIONS (inches)</i>	40W x 13.75H x 24D	40W x 21.625H x 24D	40W x 21.625H x 40.5D	40W x 12H x 30D	40W x 12H x 30D 47W x 12H x 30D	40W x 16H x 30D 47W x 16H x 30D
<i>WIDE BODY</i>	NO	NO	NO	NO	YES R47-301	YES P47-301
<i>GEAR GUARD</i>	YES	YES	YES	NO	NO	YES - 18"
<i>ELECTRONIC COVER</i>	NO	Drawer Style	Drawer Style	NO	NO	YES
<i>SPARE TIRE</i>	YES	YES	YES	YES	YES	YES
<i>VEHICLE SIZE</i>	40" wide - MID-SIZE	40" wide - MID-SIZE	40" wide - MID-SIZE	40" wide - MID-SIZE 47" wide - FULL-SIZE	40" wide - MID-SIZE 47" wide - FULL-SIZE	40" wide - MID-SIZE 47" wide - FULL-SIZE
<i>FEATURES</i>	Powder Coat, Liner, Spare Tire Access Door, Locking Drawers	Powder Coat, Liner, Spare Tire Access Door, Plexi Side Dividers, Locking Drawers	Powder Coat, Liner, Spare Tire Access Door, Gun Storage, Locking Drawers	Powder Coat, Liner, QuickLink Mounting, Locking Flip Lid	Powder Coat, Liner, Dividers, Locking, QuickLink Mounting	Powder Coat, Liner, Dividers, Locking, QuickLink Mounting
<i># OF DRAWERS</i>	1	2	2	0	1	1
<i># OF DOORS</i>	0	0	1	0	0	0
<i>WEIGHT</i>	NA lbs	NA lbs	NA lbs	61 lbs	73 lbs	82 lbs
<i>MSRP \$</i>	MID SIZE \$1195.00	MID SIZE \$1495.00	MID SIZE \$1695.00	MID-FULL SIZE \$495.00	MID-SIZE \$995.00 FULL-SIZE \$1095.00	MID-SIZE \$1095.00 FULL-SIZE \$1195.00

QTY of 5 or more may be subject to discount.



TACTICAL	TACTICAL	COMMAND	COMMAND	PATROL SCALE	COMMAND SCALE	COMMANDER *
T40-301 T47-301	T40-302 T47-302	C40-301 C47-301	C40-302 C47-302	PS40-302	CS40-301	C45-401
40W x 20H x 30D 47W x 20H x 30D	40W x 20H x 30D 47W x 20H x 30D	40W x 26H x 30D 47W x 26H x 30D	40W x 26H x 30D 47W x 26H x 30D	40W x 16H x 30D	40W x 26H x 30D	45W x 26H x 40D
YES T47-301	YES T47-302	YES C47-301	YES C47-302	NO	NO	ONLY WIDE
YES - 14"	YES - 14"	YES - 10"	YES - 10"	YES - 18"	YES - 10"	YES - 10"
YES	YES	YES	YES	YES	YES	YES
NO	NO	NO	NO	YES	NO	NO
40" wide - MID-SIZE 47" wide - FULL-SIZE	40" wide - MID-SIZE 47" wide - FULL-SIZE	40" wide - MID-SIZE 47" wide - FULL-SIZE	40" wide - MID-SIZE 47" wide - FULL-SIZE	MID to FULL-SIZE	MID to FULL-SIZE	FULL-SIZE
Powder Coat, Liner, Dividers, Locking, QuickLink Mounting	Powder Coat, Liner, Dividers, Locking, QuickLink Mounting	Powder Coat, Liner, Dividers, Locking, QuickLink Mounting	Powder Coat, Liner, Dividers, Locking, Flip-Up White-board, QuickLink Mounting	Powder Coat, Liner, Dividers, Locking, HAENNI Scale Storage QuickLink Mounting	Powder Coat, Liner, Dividers, Locking, HAENNI Scale Storage QuickLink Mounting	Powder Coat, Liner, Dividers, Locking, HAENNI Scale Storage QuickLink Mounting
1	2	2	3	1	1	3 (1 electronic, 1 long gun)
0	0	1 (1 shelf)	1 (1 shelf)	2	0	1 (4 scale slots)
124 lbs	148 lbs	156 lbs	168 lbs	62 lbs	132lbs	226lbs
MID-SIZE \$1195.00 FULL-SIZE \$1295.00	MID-SIZE \$1495.00 FULL-SIZE \$1595.00	MID-SIZE \$2295.00 FULL-SIZE \$2495.00	MID-SIZE \$2395.00 FULL-SIZE \$2595.00	MID-FULL SIZE \$1095.00	MID-FULL SIZE \$1495.00	FULL SIZE \$2895.00*

(*) Indicates copbox units available for State Contract or other Qualified Purchases at SPECIAL Pricing. Please contact your representative for details.

Removable truck bed cabinet. This cabinet was designed on fork lift tubes for easy removal for bed use. It has 4 built in D-Rings to strap it into place when installed.



CUSTOM TACTICAL



Easy access to scales in the rear of this Police truck based in Texas while still having the ability to store gear in the bed was crucial.



Low profile design to fit under any cap and bed slides allow for secure storage of your gear. This cabinet also features MACs tie down button for additional storage strapping to top.

Full extension truck bed drawers available, designed to fit under a truck cap or tonneau cover.



CUSTOM TACTICAL SOLUTIONS

With several thousand CopBox Cabinets in active duty across the United States CTech is proud to support the men and women on duty.



CUSTOM TACTICAL



This Jeep Cabinet is designed to fit both 2 door and 4 door applications. The 1 drawer configuration offers secure storage with additional storage on top.



Revisions to our standard models throughout the CopBox's innovations have left options like flip lids and deep top compartments for secure yet quick access as options for custom options.

Additional mounting solutions have been developed for different vehicles. The CopBox can be mounted into almost any application, but CTech has developed a few specific QuickLink platforms for the most common applications.



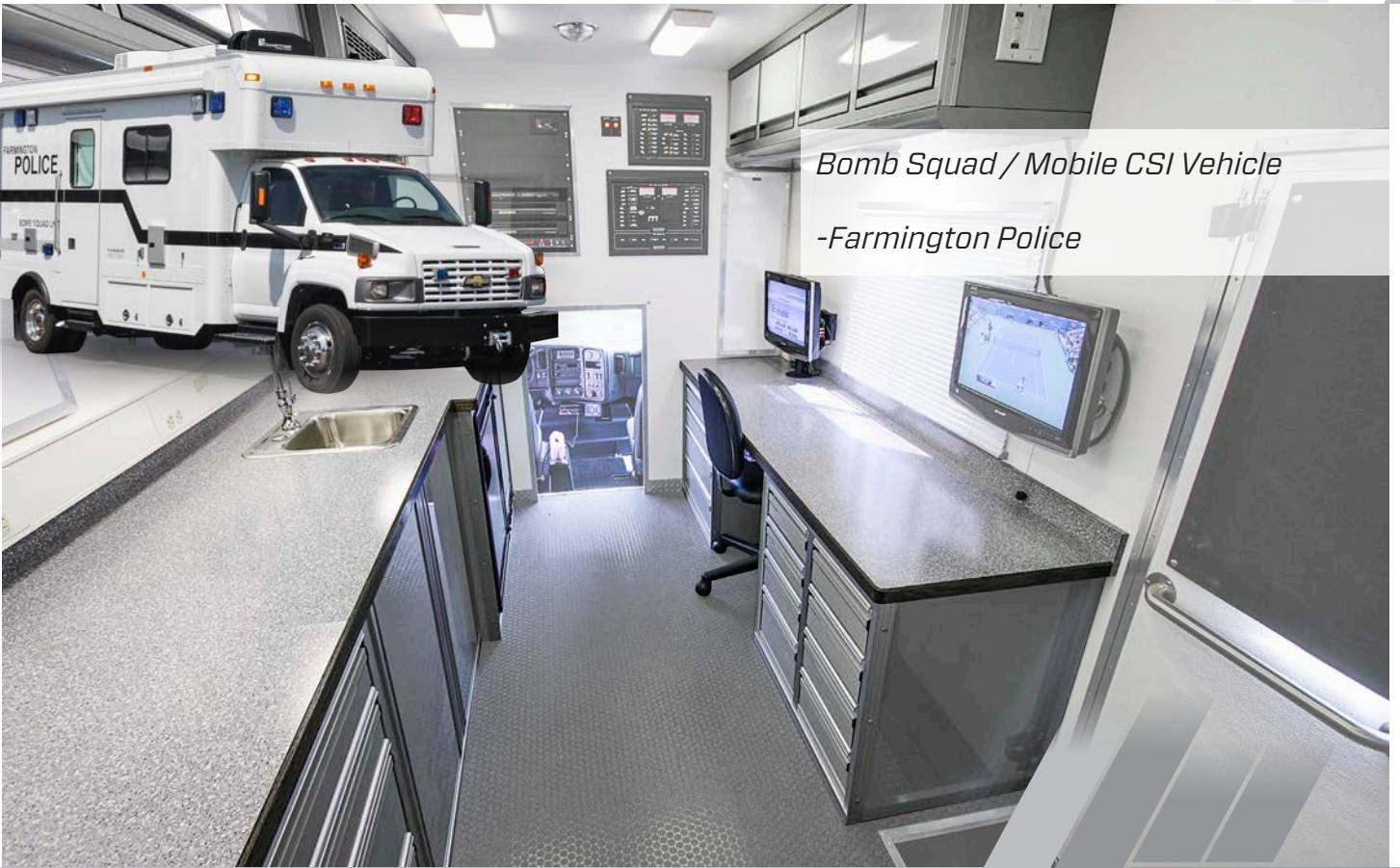


CUSTOM

*Bomb Squad Vehicle
-Marathon Oneida County*



TACTICAL



*Bomb Squad / Mobile CSI Vehicle
-Farmington Police*

TACTICAL



*Mobile Command Center
-U.S. Marshals Service*





WE BUILD

CARTS

- RACE
- INDUSTRIAL
- CUSTOM

CABINETS

- GARAGE
- SHOP
- TRAILER

TACTICAL



IT BETTER

- HOUSING INSERT
- CABINET INSERT
- TOOL DRAWER INSERT

DRAWERS

TACTICAL

- LAW ENFORCEMENT
- FIRE/EMT
- MILITARY



TACTICAL

For more information on our capabilities check us out at WWW.CTECHMANUFACTURING.COM

CTech Manufacturing Policies and Procedures

Terms - Standard terms for approved accounts are Net 30-days. Non-compliance to the terms may result in a late fee of up to 2% per month.

Cancellation and Change Policy - Orders canceled more than 24 hours from time of receipt are subject to a cancellation fee of up to 20%. Cancellation or changes must come in writing (not verbal) and be confirmed within 24 hours of the original purchase order being issued to avoid any potential change or cancellation fees.

Return Policy - Custom built products are non-returnable. Standard products are subject to a return fee of up to 20% plus the cost of freight to return the product. Products must have been purchased within the past 12 months. All returned products must be in like new, sale-able condition. Any returned products **MUST** have a Return Goods Authorization approved before returning. Any returns without a pre-approved RGA will be rejected and returned to sender.

Warranty Policy - CTech Manufacturing offers a limited lifetime warranty* against any manufacturing defects in material or workmanship so long as the original purchaser retains ownership, possession, and control of the product.

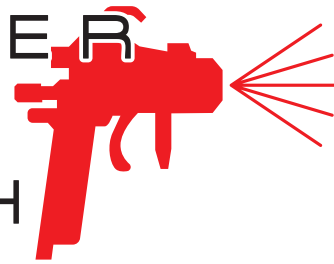
* **Note** - Slides are a purchased product and are warranted for one year from date of original invoice. Slides are passed through to the original manufacturer for inspection and processing.

50%
WEIGHT SAVINGS
 on average over a steel comparison

IN HOUSE

ALL ALUMINUM

POWDER
 COAT
 FINISH



Taking industry standards and
BUILDING IT BETTER
for 25 YEARS!



CTech Manufacturing is a Wisconsin based company dedicated to customer satisfaction, quality products and industry leading innovations.

With 25 years of experience, CTech has established itself as the most respected name in manufactured aluminum carts, cabinets and drawers for mobile applications. Our customer relationships help drive our business in new directions and keep CTech the leader of pack.

WWW.CTECHMANUFACTURING.COM



CTECH EXCLUSIVE
MotionLatch™
Drawer & Door System
US Patent 6,547,289



CTECH Manufacturing
7501 Commerce Dr
Weston, WI 54476
(p) 715-355-8842
(f) 715-355-8932

© All Rights Reserved 2018 CTECH Manufacturing - 082019

The one and only MotionLatch!
Only available from CTEch, don't be fooled by imitators