



BLUETOOTH ADAPTER ® RMN5104A



Product Safety and RF Exposure Compliance



Caution

Before using this product, read the operating instructions for safety usage contained in the Product Safety and RF Exposure booklet enclosed with your radio.

FOREWORD

The Bluetooth Adapter, when attached to the radio, is restricted to occupational use only to satisfy FCC RF energy exposure requirements. Before using this product, read the RF energy awareness information and operating instructions in the Product Safety and RF Exposure booklet enclosed with your radio to ensure compliance with RF energy exposure limits. This device does not cause harmful interference.

This device works under most conditions:

- This device is designed to accept all airwaves inclusive of interference that may cause undesired operation.
- This device works under most conditions except when there is poor connection.

DESCRIPTION

The Bluetooth Adapter for Radios is an accessory designed to complement Radio Models no: PR1500, XTS1500, XTS2500, XTS5000 and HT1000. The adapter is intended to interface the above radio models at commercial and private airwaves.

OPERATION

Removing the Radio's Universal Connector Cover

If the radio's universal connector is installed on the radio, refer to Figure 3 on page 11 and perform the following steps:

1. Looking at the antenna side of the radio, insert a flat blade screwdriver between the lower end of the universal connector cover and the slot below the universal connector.
2. Pry upwards on the cover's lower end until it disengages from the radio.

Attaching the Bluetooth Dongle to the radio's Universal Connector

Ensure that the radio is turned off before attaching the Bluetooth dongle to the radio. Refer to Figure 4 on page 12 and attach the dongle to the radio as follows:

1. Inspect the seal of the dongle to ensure that it is not damaged and is free of contamination.

2. Align the dongle to the radio's universal connector.
3. Looking at the antenna side of the radio, insert the bottom hooked end of the dongle into the bottom slot below the universal connector on the radio.
4. While holding the dongle seated in the bottom slot, pivot the top of the dongle towards the radio, then engage the dongle's spring loaded latch in the radio's top slot.
5. To ensure that the link is not lost by connector movement, the latch must be secured to the dongle using the screw supplied attached to the tether on the dongle.

Audio Routing Toggle Switch

The toggle switch on top of the radio allows the user to switch audio between the bluetooth adapter and the radio.

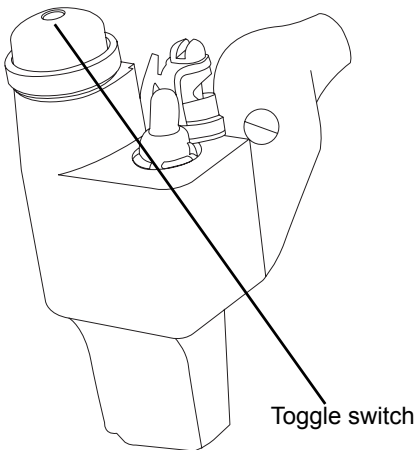


Figure1.Audio Routing Toggle Switch

6. When the toggle switch is positioned away from the radio, the audio will be routed to the radio speaker. When the radio's internal microphone is

activated, the Bluetooth headset will not be linked to the adapter.

7. With the toggle switch positioned towards the radio, the adapter will link to the Bluetooth headset by following the "Operating Instructions" on page 7 of this manual.
8. Once the link is established, the audio will be routed to the Bluetooth headset earpiece. The headset microphone will be activated .

OPERATING INSTRUCTIONS

1. Turn ON the radio.
2. Place headset in pairing mode (see headset manual). Place the adapter in pairing mode by pressing and holding the adapter PTT switch (Figure 2 below) for 3 seconds.

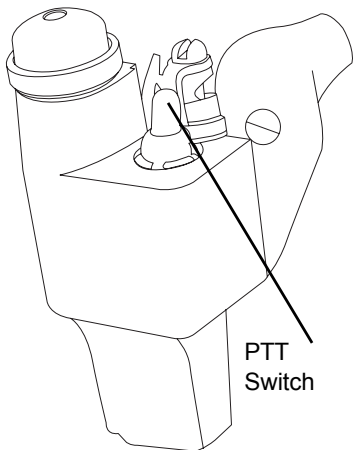


Figure 2 Turning On the Radio

3. Determine the adapter connection mode by observing the LED:
 - If LED blinks rapidly, adapter is in new connection mode.
 - If LED blinks slowly (ON once per second), adapter has established connection with headset.
4. Repeat Steps 1 to 3 if the devices fail to connect.

Reconnecting

1. Turn ON the headset.
2. Attach the adapter to the radio.
3. Turn ON the radio.
4. The two devices will automatically attempt to reconnect.
5. A slow blinking LED indicates successful reconnection.
6. If the reconnection fails, refer to the **“TROUBLESHOOTING”** section on page 9.

Turning On The Adapter

1. Turn ON the adapter.
2. The adapter waits for connection from previously connected headset (slow LED blinks, ON twice per second). There is no timeout on this.

Troubleshooting

1. The adapter PTT button is disabled EXCEPT when a connection is established.
2. To connect a new device, press and hold the PTT button for 3 seconds.
3. Allow the device to blink for 30 seconds.

Reconnecting

1. The LED will flash slowly upon connection (ON once per second).

2. A slow blink indicates lack of connection (ON twice per second).
3. The adapter will always revert to the last previously connected device.
4. It will not connect with any other device except when Step 1 is repeated.



Caution

To ensure successful pairing of your Bluetooth Headset, the radio battery must be sufficiently charged. The radio battery must have at least 6% of its usable life remaining, which corresponds to a voltage of 6.75V. To reconnect, the radio must have at least 2% of its usable life remaining, which corresponds to a voltage of 6.3V. At this time, the user receives a low battery warning via a blinking battery icon on the radio display and a low battery chirp,

Removing the Radio's Universal Connector Cover

If the radio's universal connector is installed on the radio, refer to Figure 3 below and perform the following steps:

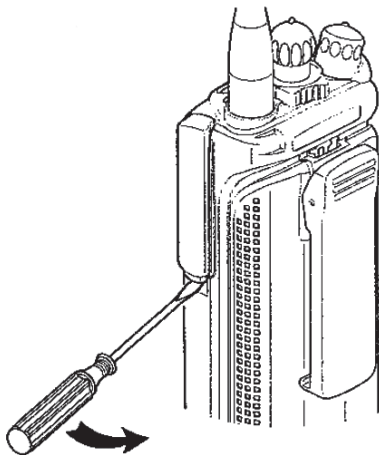


Figure 3: Removing the Radio Cover

1. Looking at the antenna side of the radio, insert a flat blade screwdriver between the lower end of the universal connector cover and the slot below the universal connector.
2. Pry upwards on the cover's lower end until it disengages from the radio.

Attaching the Bluetooth Adapter to the Radio's Universal Connector

Ensure that the radio is turned off before attaching the Bluetooth Adapter to the Radio. Refer to Figure 4 below and attach the Adapter to the radio as follows:

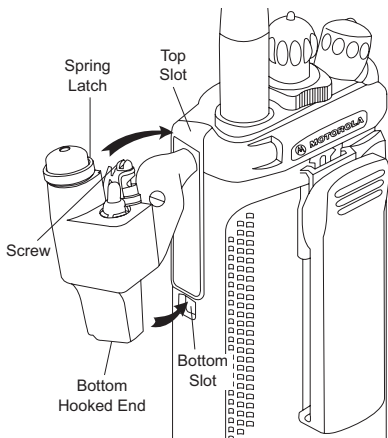


Figure 4: Attaching the Bluetooth Adapter To the Radio's Universal Connector

1. Inspect the seal of the Adapter to ensure that it is not damaged and is free of contamination.
2. Align the Adapter to the radio's universal connector.
3. Looking at the antenna side of the radio, insert the bottom hooked end of the Adapter into the bottom slot below the universal connector on the radio.
4. While holding the Adapter seated in the bottom slot, pivot the top of the Adapter towards the radio, then engage the Adapter spring loaded latch in the radio's top slot.
5. To prevent audio interruptions caused by connector movement, secure the latch to the adapter using the tethered screw.



MOTOROLA and the Stylized M Logo are registered in the U.S. Patent and Trademark Office. The Bluetooth trademarks are owned by their proprietor and used by Motorola, Inc. under license. All other product or service names are the property of their respective owners (c) 2007 by Motorola, Inc. All rights reserved.



6871904M01-A

